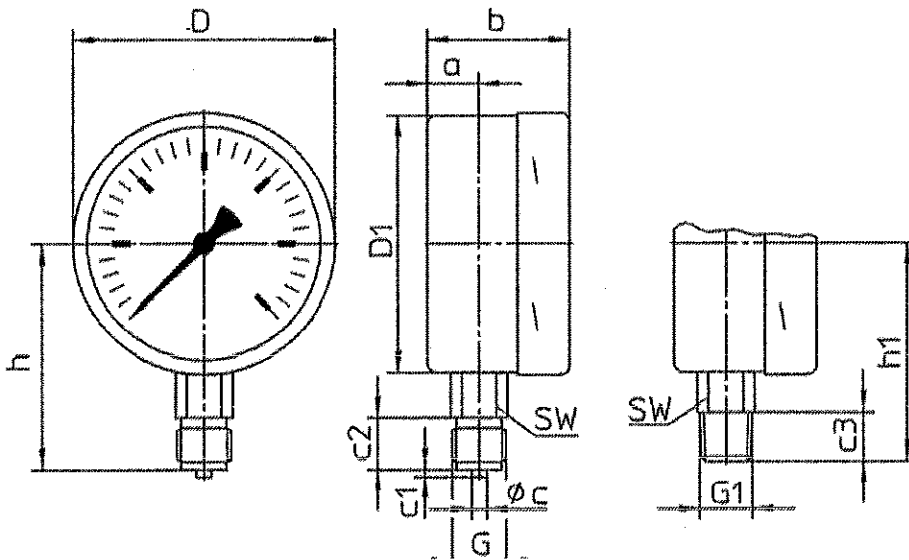


## PBX100 / 160XA-BI/SI-DIN



Dimensional data (mm / inches) and weights (kg / lb)																								
NCS	a	a1	b	b1	b2	b3	c	c1	c2	c3	D	D1	D2	d1	d2	d3	d5	e	G	G1	g	g1	h	h1
100	20	23.5	55	55	58.5	58.5	6	3	20	19	101	99	103	118	132	4.8	M4	30	G 1/2 B 1/2" BSP M 20 x 1.5	1/2" NPT	97	96	97	84
4"	.79	.93	2.17	2.17	2.3	2.3	.24	.12	.79	.75	3.98	3.9	4.06	4.57	5.2	.19		1.18			3.82	3.78	3.43	3.31
160	15.5	19	51	51	54	54	6	3	20	19	161	159	163	178	196	5.8	M5	30	G 1/2 B 1/2" BSP M 20 x 1.5	1/2" NPT	92.5	91.5	115	114
6"	.61	.75	2.01	2.01	2.13	2.13	.24	.12	.79	.75	6.34	6.28	6.42	7.01	7.72	.23		1.18			3.64	3.6	4.53	4.49
250	15.5	17.5	58	58	60	60	6	3	20	19	251	249	-	270	285	5.8	-	52	G 1/2 B 1/2" BSP M 20 x 1.5	1/2" NPT	97	96	165	164
10"	.61	.69	2.28	2.28	2.36	2.36	.24	.12	.79	.75	9.88	9.8	-	10.63	11.22	.23	-	2.05			3.82	3.78	6.5	6.46